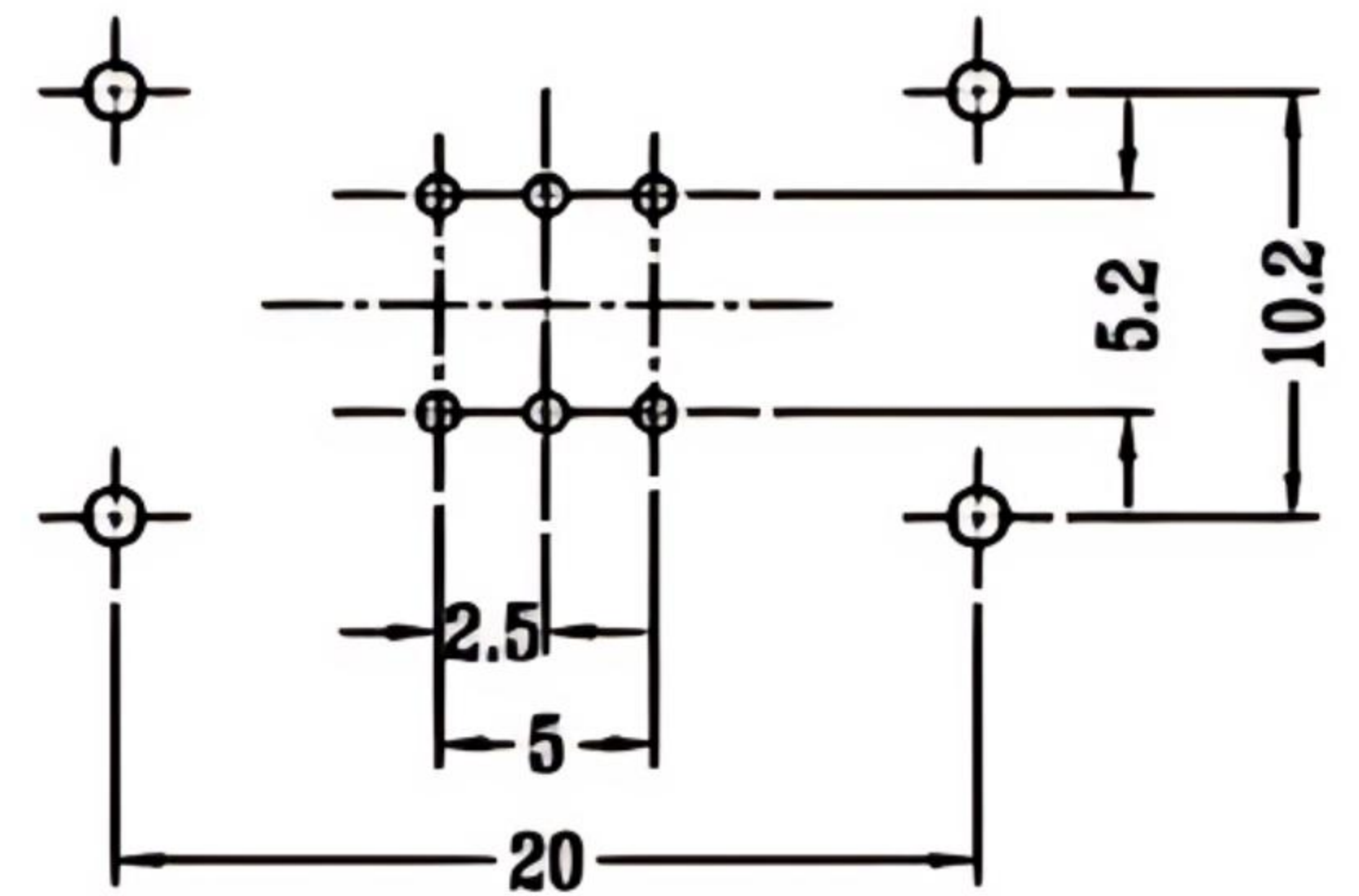
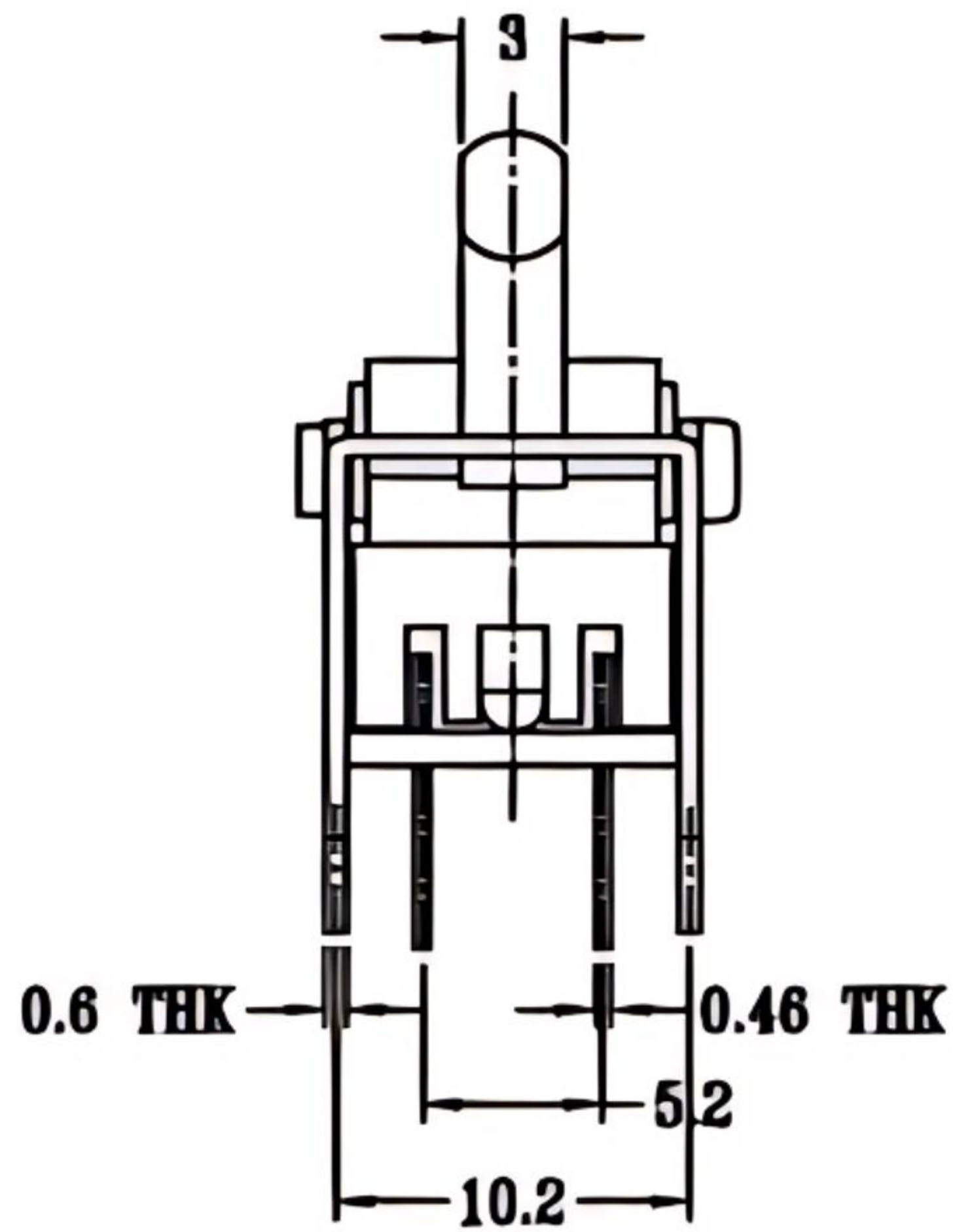
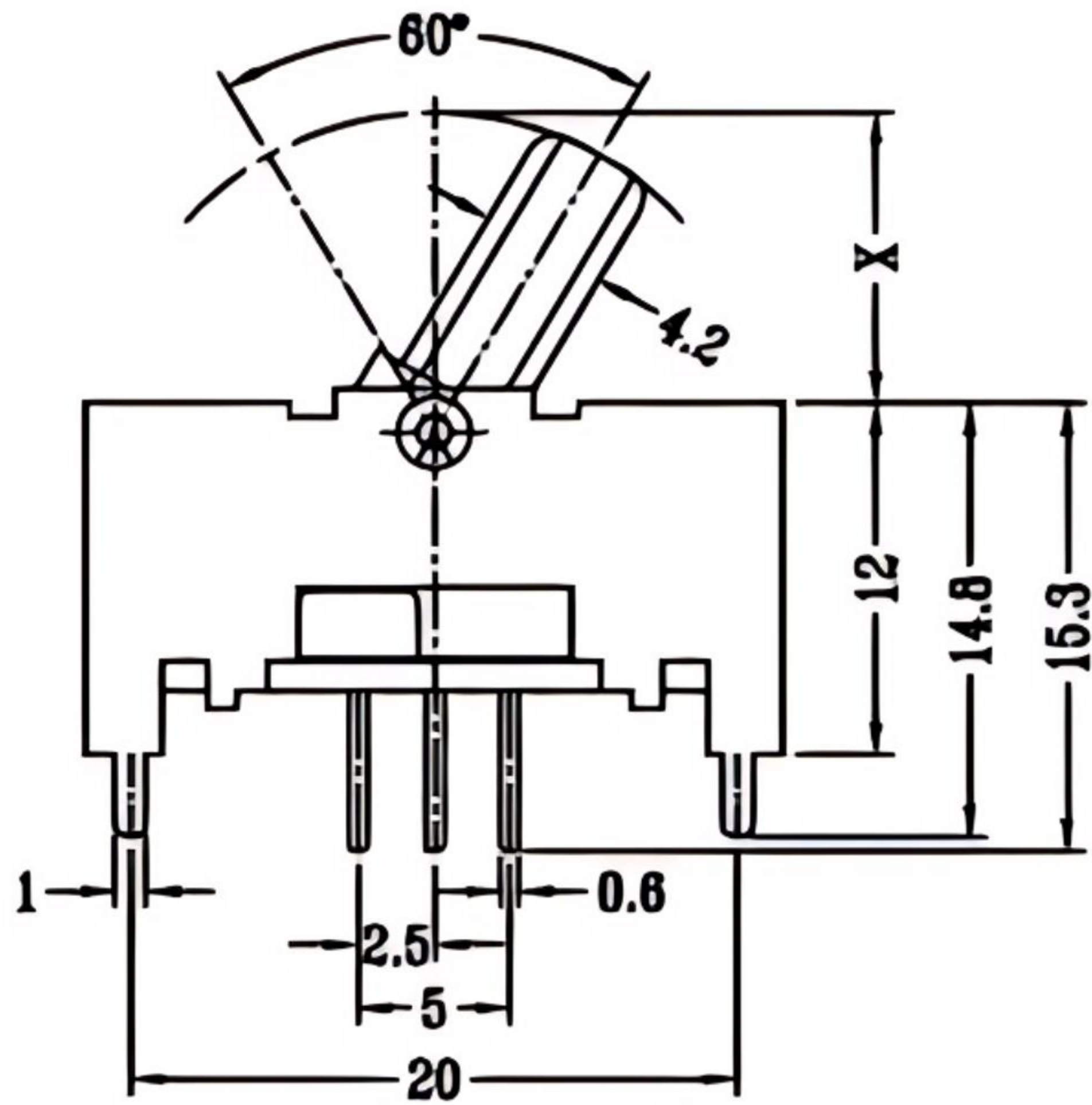


SCHEMATIC (SHORTING)



P.C.B LAYOUT



東莞市高迪電子有限公司
DONG GUAN GAO DI ELECTRONICS CO., LTD

TOLERANCE UNLESS OTHERWISE STATED:
 Up to 5 ±0.2
 Above 5 ~ 15 ±0.3
 Above 15 ~ 30 ±0.4
 Above 30 ~ 50 ±0.5
 Angle ±0.3°

3RD. ANGEL'S

UNITS MM

DRAWN BY: Ming Ming Zou
 DATE: 10/31/13

CHECKED BY: Ning Ning Su
 DATE: 10/31/13

APPROVED BY: Jia Xiang
 DATE: 10/31/13

MAT'L		TITLE	SWITCH+JACK
FINISH		MODLE	AC POWER SOCKET
SCALE	1:1	DWG NO.	
SHEET NO.	1 of 1	PART NO.	
		SIZE	A4
		VER	R

ITEM NO.	DESCRIPTION	DRAWN	DATE